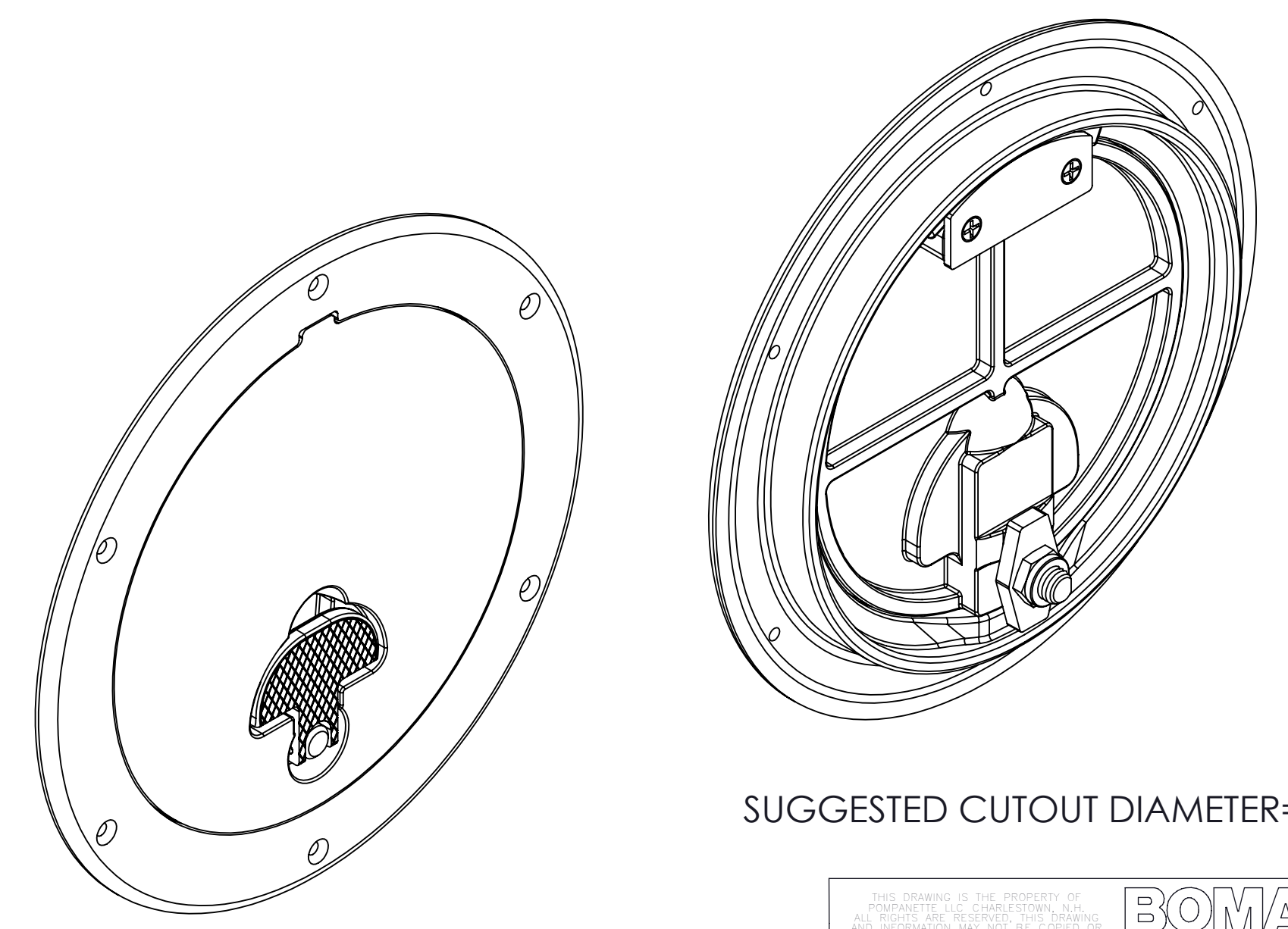
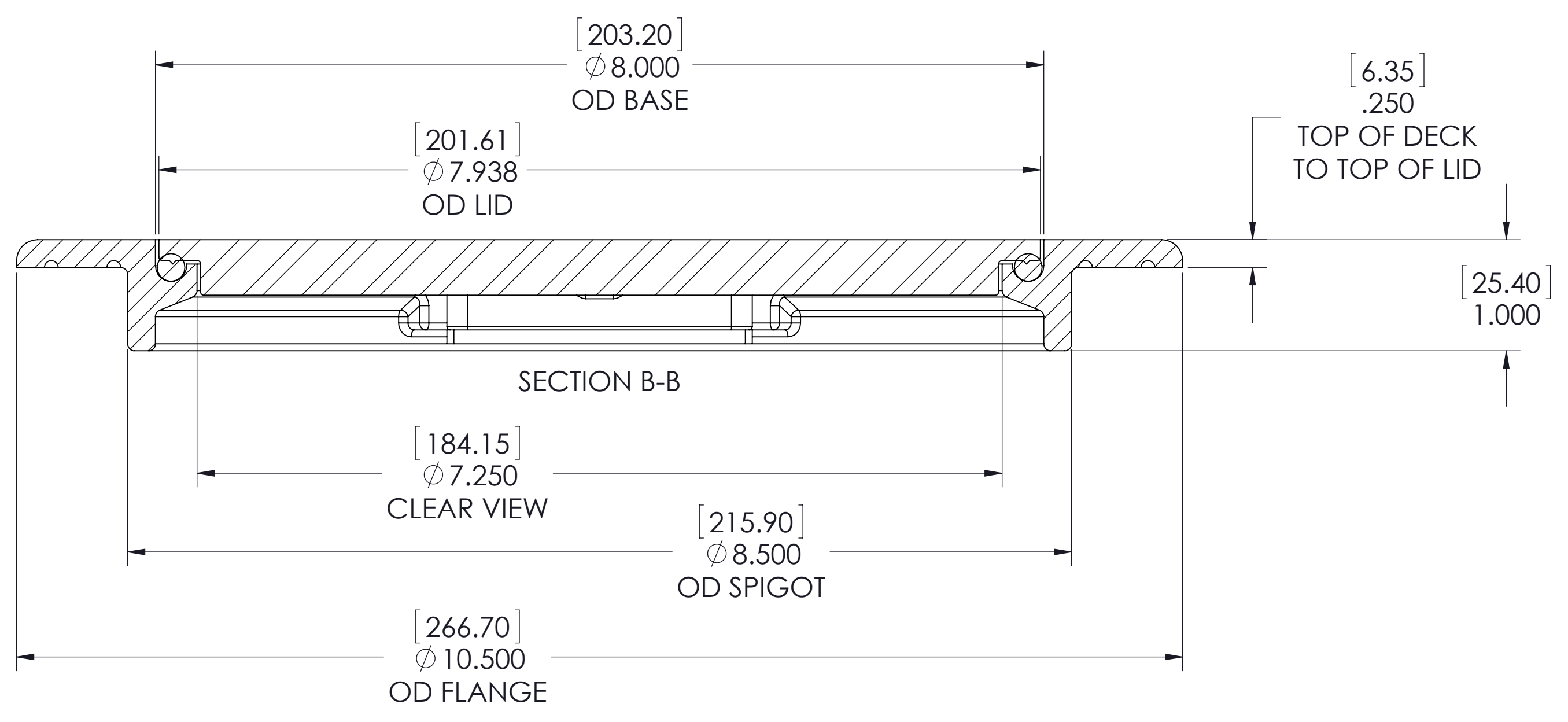


SECTION A-A



<small>THIS DRAWING IS THE PROPERTY OF BOMAR INC. ALL RIGHTS ARE RESERVED. THIS DRAWING IS TO BE USED ONLY FOR THE PURPOSES OF THE ORIGINAL PURCHASE. PERMISSION OF BOMAR INC. IS REQUIRED FOR ANY OTHER USE.</small>		<b>BOMAR</b> <small>BOWERS</small>		<small>DIV. OF Pompanette INC.          73 SOUTHWEST ST. PO BOX 1200          CHARLESTON, S.C. 29405          PH: (803) 826-5171          FAX: (803) 826-5074</small>	
SCALE: ±1/64	TITLE: DECK PLATE ASSY 8.0" DIA				DATE: 1/18/12
TOLERANCES: .XXX = ±.005					DRAWN BY: JPERRY
REL. XX = ±.01					1 OF 1
ANGLE: ±1°	SCALE: 1:1	SEE: D	DATE: 1/18/12	PART NO: C4808	