



Twin groove air foil shaped extrusion

Removable stainless steel sailfeeder

Setting the standard for high performance at an Attractive Price

Max system length: 53'8" • For boats from 34' to 39' (9-11m)

An attractive price 253 Sea Furl-5 is the best value on the market. It features our previously patented independent tack and head-swivel system for improved sail shape while reefing.

Wire Diameter 1x19ss

- 3/16" (5mm)
- 7/32" (6mm)
- 1/4" (7mm)
- 9/32" (8mm)

Clevis pin diameter**

- 3/8" (9.5mm)
- 7/16" (11mm)
- 1/2" (12.7mm)

Rod sizes - 4 - 6 - 8 - 10

****Must specify pin size**

Notes: System fits over existing headstays with swage stud style turnbuckles. Some marine eye or mechanical fittings may require removal or re-installation.

H253.5 SEAFURL-5

H253.5-6BB

H253.5 Furler w/ 6 sections (41' / 12.5m)

H253.5-7BB

H253.5 Furler w/ 7 sections (47'4" / 14.4m)



Extrusion

NEW

PROFESSIONAL PACKAGE

Complete Installation kit

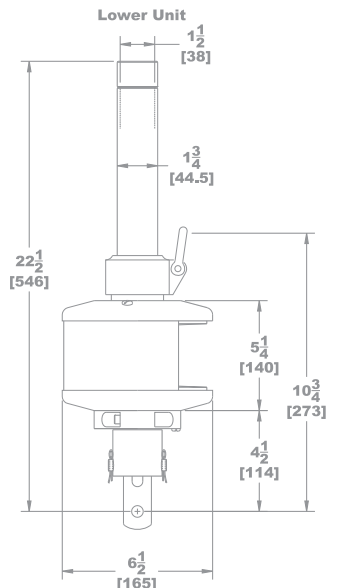
H253.5PPxxxxxx

Includes: H253.5, HLBK-02, H2269, HRS-2 and complete headstay with turnbuckle and mechanical fitting.

Consult Hood Price List for size, wire size and pin and length options.

Installation Accessories

- H9091-1 76" (1.93m) BB Luff extrusion w/connector, bearing liner and fasteners
- HFL10-55 Furling Line 5/16"x55'
- H9268-16 H253 - 1/2" Toggle/eye assembly
- HRS-2 Halyard Restrainer (when required)
- HSFAIRLEAD Stanchion mounted Bulls-eye Fairlead
- H6866 Single Stanchion Block
- H2269 Small Sail Pre-feeder
- HLBK-2 Lead Block kit: 3xHSFAIRLEAD, 2xH6866 and 1xHFL10-55



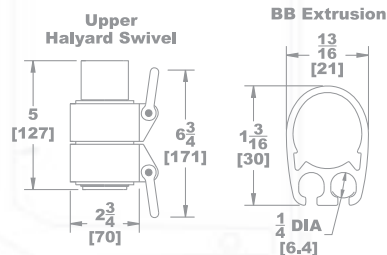
Turnbuckle tube fits over existing turnbuckle

Fixed tack fitting

Removable stainless steel drum cover for performance sailing

Stainless steel and Teflon® spherical bearings

Universal devis mounting



Stainless Steel Feeders



Photo credits: Helsen Signature 47
Specifications subject to change without notice