

Unsurpassed performance and reliability in a high-tech furling system

Max system length: 67' • For boats from 34' to 53' (10-16.1m)

One-of-a-kind design meets state-of-the-art construction in this performance-oriented furling and reefing system. Designed to make an effortless transition between cruising and racing, the hybrid stainless steel and Tordon™ bearing system is built to last a lifetime, and has the lifetime warranty to prove it.

Wire Diameter 1x19ss

- 5/16" (8mm)
- 3/8" (10mm)
- 7/16" (11mm)*

Clevis pin diameter**

- 1/2" (12.7mm)
- 5/8" (16mm)
- 3/4" (19mm)

*7/16 (11mm) requires special bearings liners, and headstay modification, please specify when ordering.
**Must specify pin size when ordering

Notes: System fits over existing headstays with swage stud style turnbuckles. Some marine eye or mechanical fittings may require removal or re-installation.

Twin groove air foil shaped extrusion

H325 SEAFURL-5

H325-8CC

H325 Furler w/ 8 ea "C" 76" sections (53' / 16.1m)
Max wire diameter 5/16" (8mm)

H325-9DD

H325 Furler w/ 9 ea "D" 76" sections (59'3" / 18m)
Max wire diameter 3/8" (10mm)

H325-10DD14*

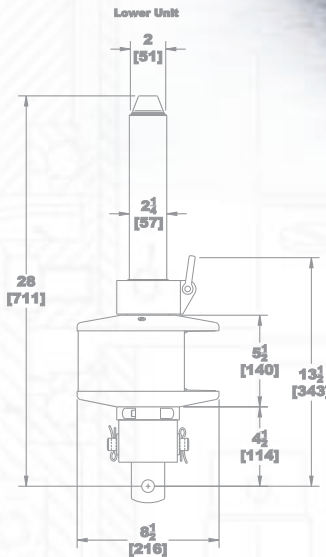
H325 Furler w/ 10 ea "D" 76" sections (65'6" / 19.9m)
*Special solid splice pieces to accept 7/16" (12mm) wire

NEW PROFESSIONAL PACKAGE Complete Installation kit H325PPxxxxxx

Includes: H325, HLBK-03, H2268, HRS-2 and complete headstay with turnbuckle and mechanical fitting. Consult Hood Price List for size, wire size and pin and length options.

Installation Accessories

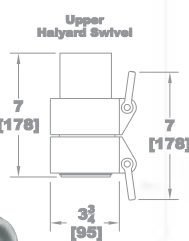
- H9092-1 76" (1.93m) C size Luff extrusion w/connector and bearing for 5/16" wire
- H9049-1 76" (1.93m) D size Luff extrusion w/connector and bearing for 3/8" wire
- H9049-14 76" (1.93m) D size Luff extrusion w/connector and bearing for 7/16" wire
- HFL12-80 furling line 3/8"x80"
- HRS-2 Halyard Restrainer (when required)
- H6866 Single Stanchion Block
- H2268 Sail Pre-feeder
- HLBK-3 Lead Block kit: 4xH6866 and 1xHFL12-80



Stainless steel and Tordon® spherical bearings

Teck swivel rotates 360° for sail shaping

Extrusions



CC Extrusion



DD Extrusion



Universal devis mounting

Removable stainless steel drum cover for performance sailing

Photo credits: Hunter Marine

Specifications subject to change without notice.