

# TREAD PLATE ACCESS HATCH



## AVAILABLE STANDARD CUTOUT SIZES:

12.5 sq.  
16.5 x 24.5  
20.5 x 30.5  
24.5 x 24.5  
24.5 x 30.5  
24.5 x 36.5

**CUSTOM SIZES UPON REQUEST**

# OUR STANDARD SERIES

## TREAD PLATE ACCESS HATCH FEATURES

HIGH QUALITY 5 BAR, MARINE GRADE,  
ANODIZED ALUMINUM TREAD PLATE COVER

316 STAINLESS STEEL DOG FASTENER WITH  
LATCH POSITION INDICATOR



316 STAINLESS STEEL FLUSH D HANDLE  
FOR EASY REMOVAL AND REPLACEMENT  
OF HATCH COVER

HEAVY 12 GAGE 316 STAINLESS STEEL FULLY WELDED  
FRAME CAN BE DIRECT BONDED OR MECHANICALLY  
FASTENED (ALUMINUM FRAME IS OPTIONAL FOR  
DIRECT WELDING TO ALUMINUM DECK)

ALL DOG FASTENERS ARE RECESSED INTO THE HATCH COVER  
SO CHAINS, CABLES OR ROPES WILL NOT SNAG ON THEM

**\*\*D HANDLE DOGS ARE AVAILABLE FOR ALL LATCHING POSITIONS\*\***

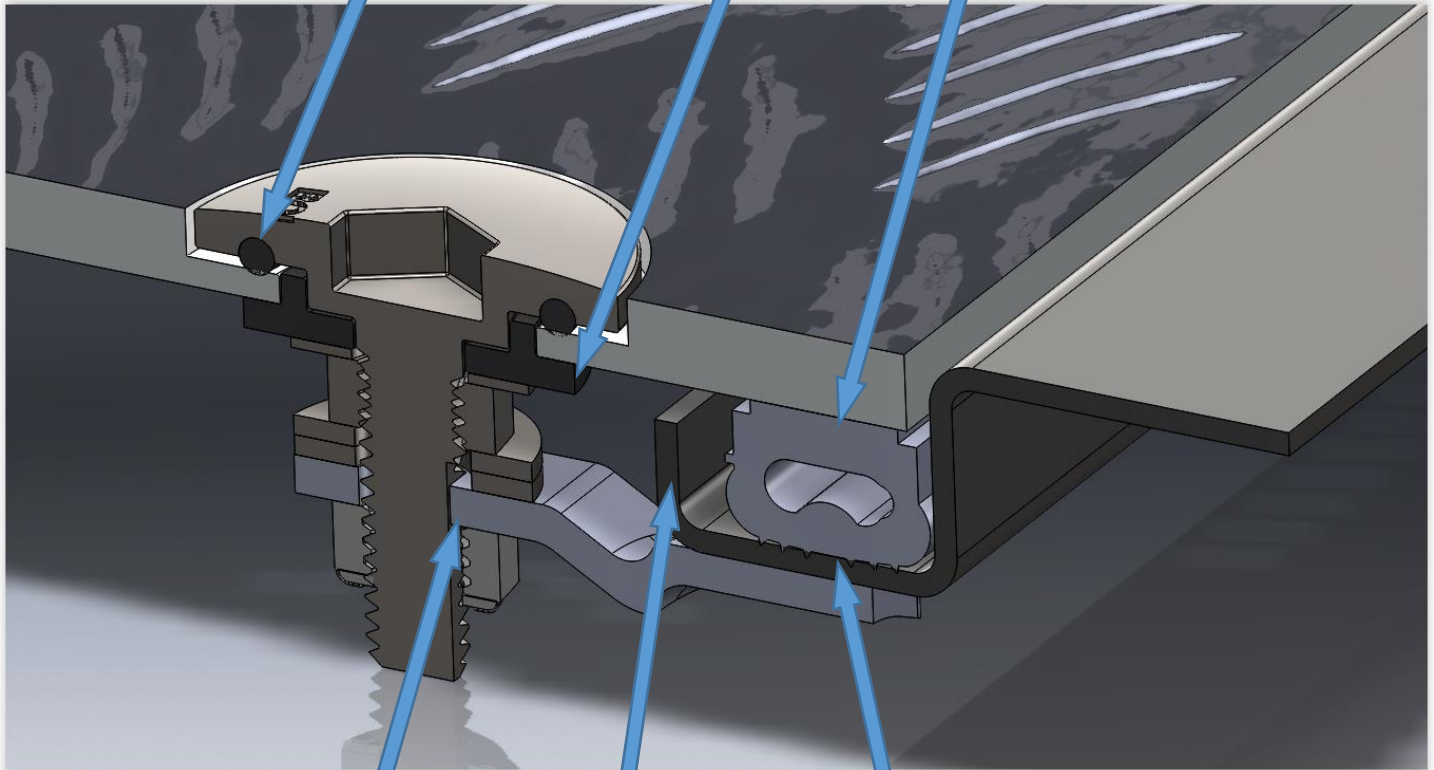


316 STAINLESS STEEL HEX DRIVE TOOL

DELRIN BUSHING FOR SMOOTH DOG OPERATION  
WHICH ALSO ISOLATES THE STAINLESS DOG  
FASTENERS FROM THE ALUMINUM PLATE

BUNA-N O-RING WHICH IS APPROVED FOR USE IN  
PETROLEUM AND CHEMICAL ENVIRONMENTS

COMPRESSED GASKET WILL DEFLECT  
AGAINST THE FRAME WALLS TO KEEP THE  
COVER CENTERED IN THE FRAME OPENING



LATCH IS KEYED TO THE DOG FASTENER  
TO ENSURE LATCH OPERATION EVEN IF  
THE FASTENERS LOOSEN

MULTIPLE POINT LOADING GASKET  
PROFILE TO RESIST LEAKAGE EVEN  
UNDER DYNAMIC WATER PRESSURES

RETURN BEND IN THE FRAME PROFILE WILL STOP  
OVER COMPRESSION OF THE GASKET IF HEAVY  
LOADS ARE PLACED ON THE HATCH COVER



**BOMAR/POMPANETTE LLC**

CHARLESTOWN, NH 603-826-5791

TAMPA, FL 813-885-2182