

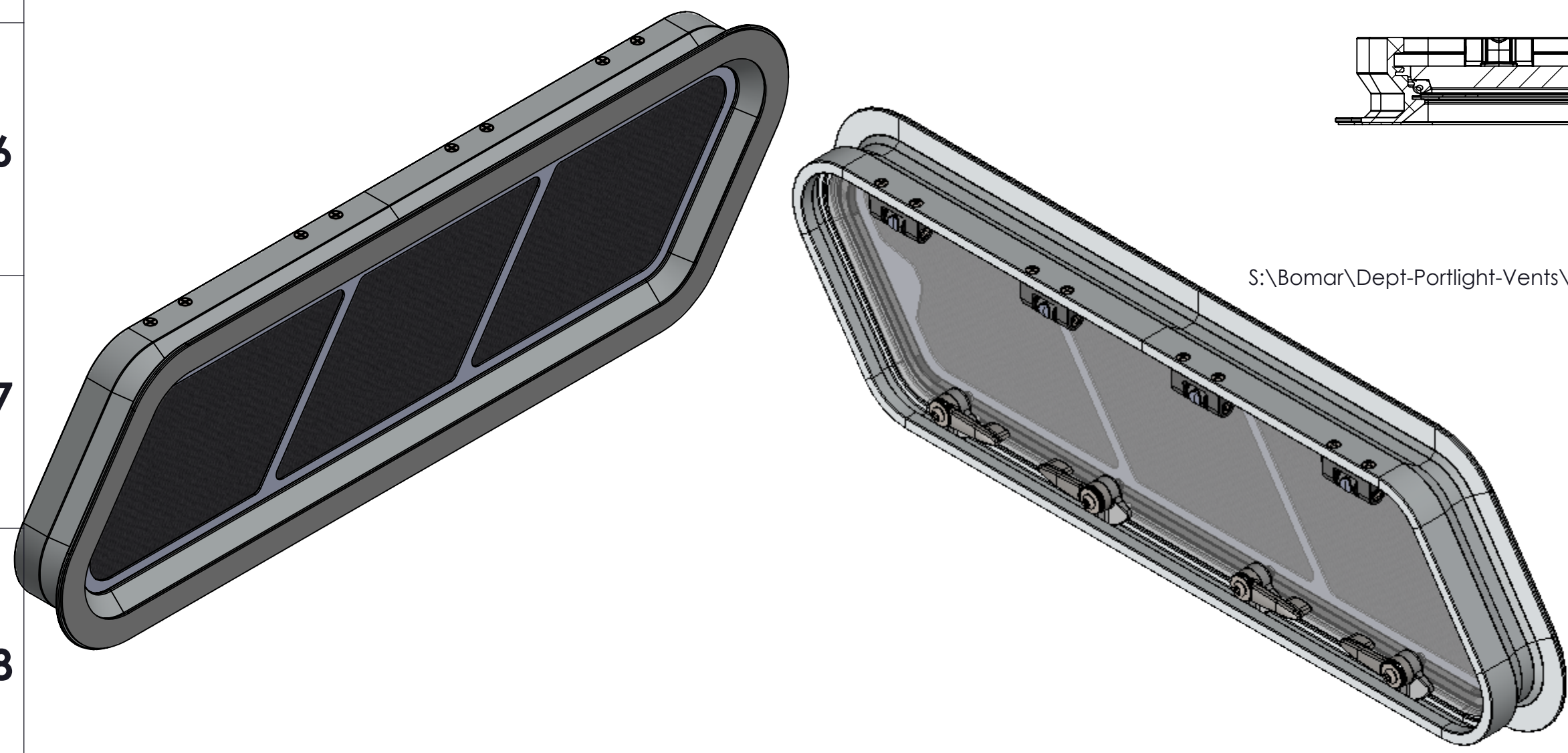
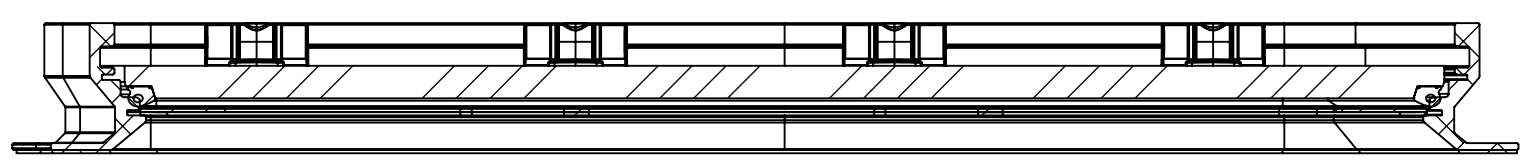
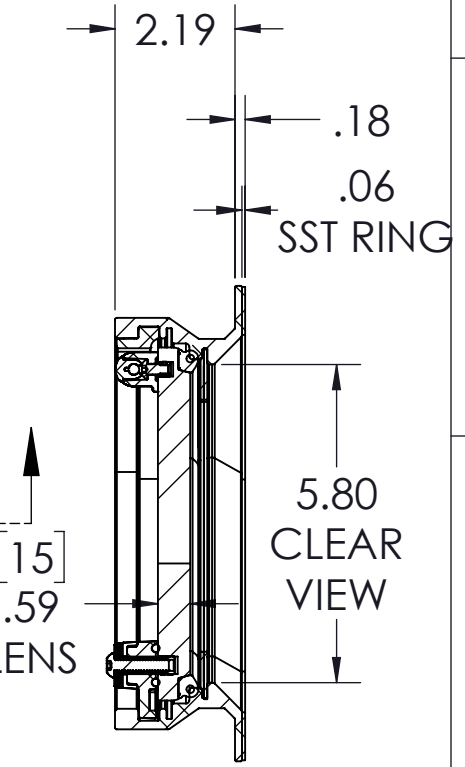
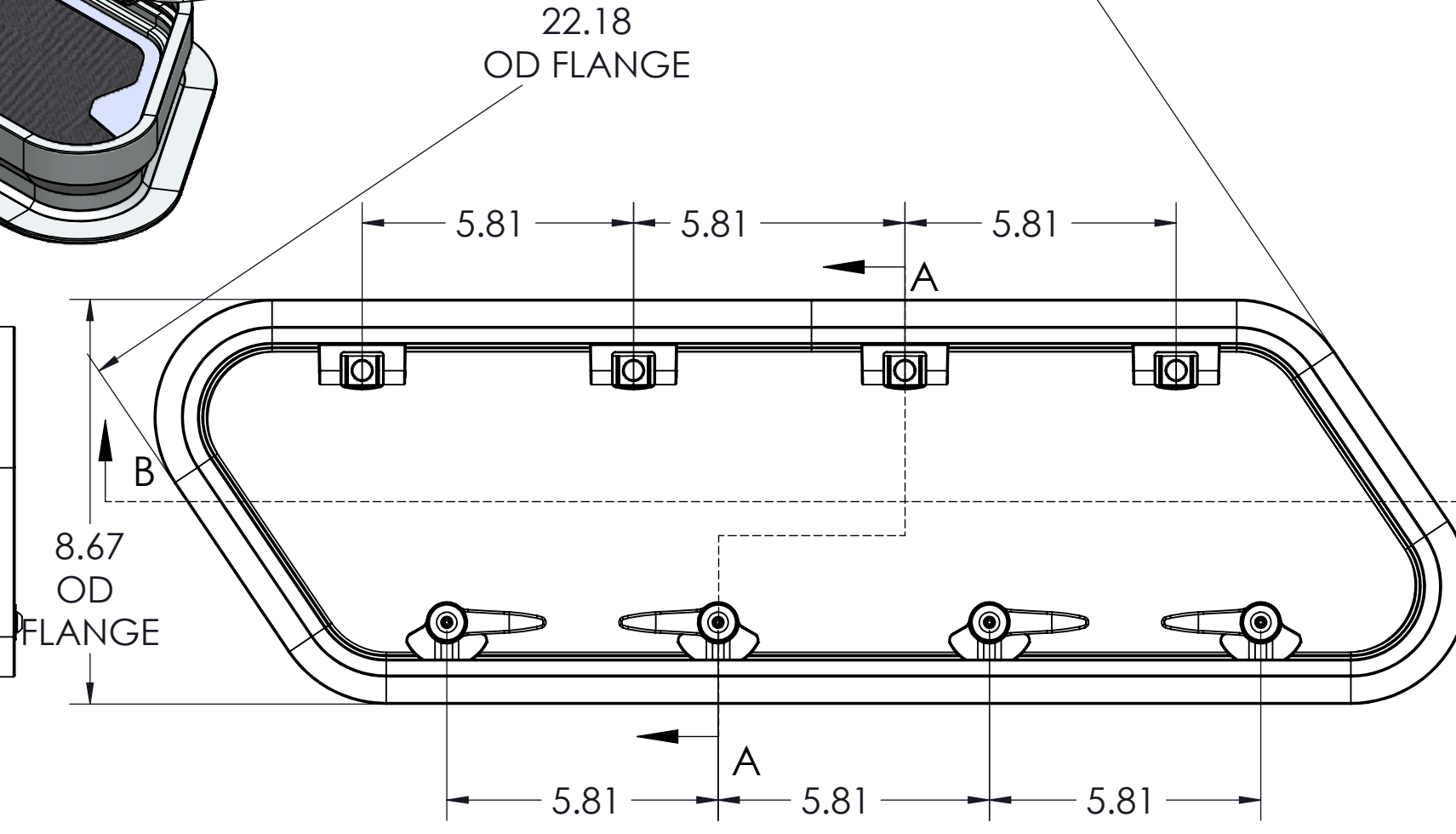
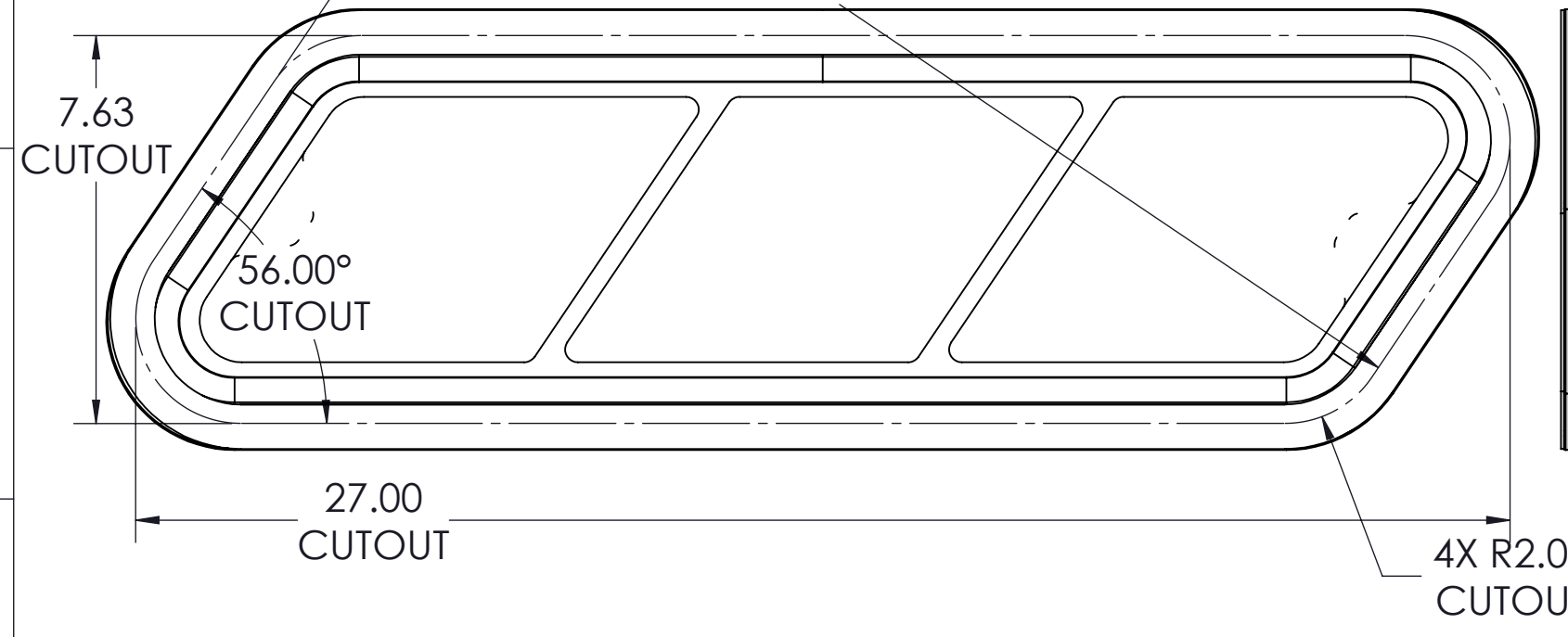
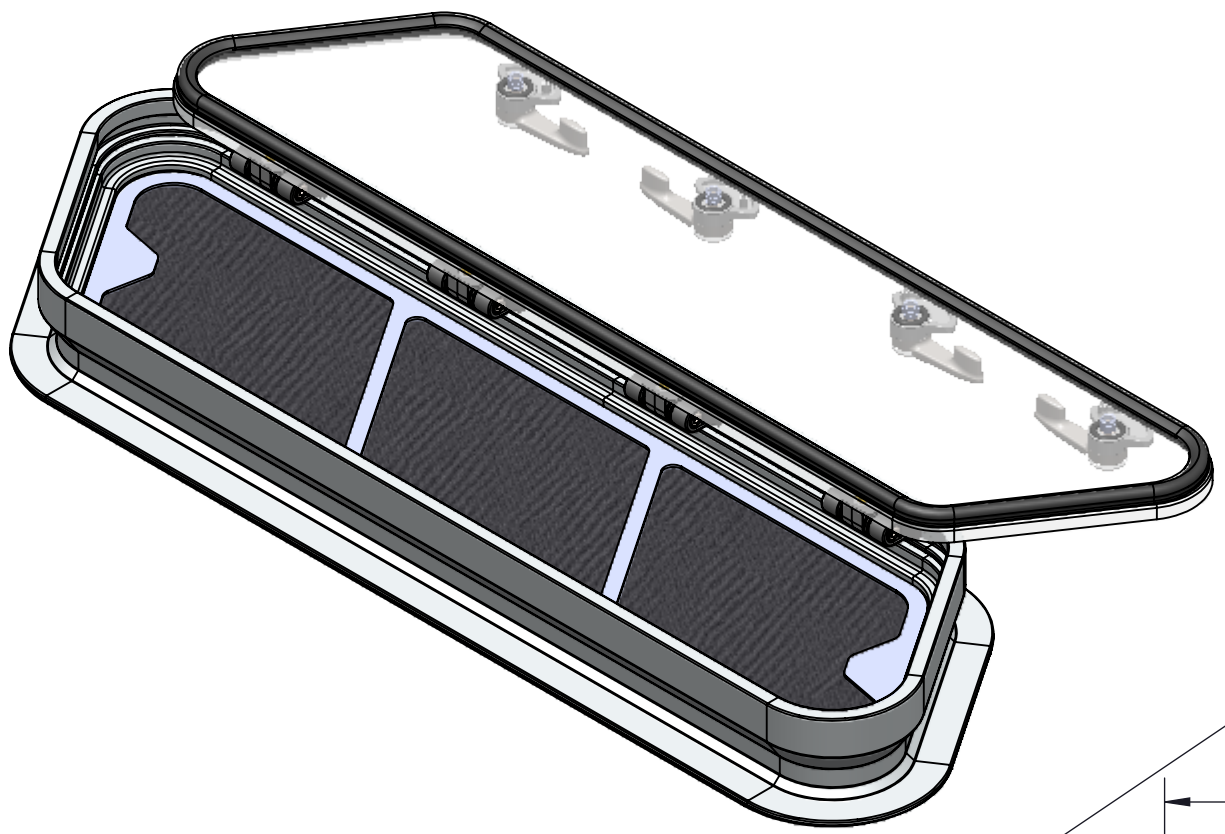
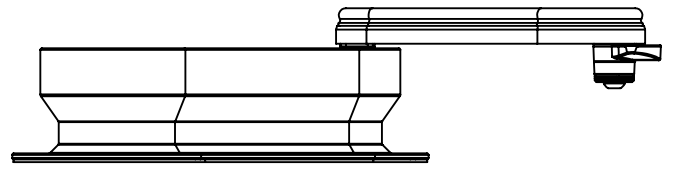
A B C D E F G H I J

REVISIONS				
ZONE	REV.	DESCRIPTION	DATE	APPROVED
	A	REDESIGN OF PORTLIGHT	1/26/2018	JPERRY


1  
2  
3  
4  
5  
6  
7  
8

1  
2  
3  
4  
5  
6  
7  
8

OPENS 180°



S:\Bomar\Dept-Portlight-Vents\NO - NOF - N-F Series\NO--002\_N-F-002 Series with New Extrusion\NO--0020010--SF015SA\NO--0020010--SF015SA

<b>CUSTOMER</b>		<b>PROJECT</b>		
		002 SERIES PORTLIGHT NEW EXTRUSION		
This Drawing is the Property of Pompanette LLC				CHARLESTOWN, N.H. PH. (603) 826 5791
All Rights Reserved, This Drawing and Information May Not Be Copied or Disclosed to Others Without Written Permission of Pompanette LLC				TAMPA, FL. (813) 885-2182
<b>MACHINING TOLERANCES</b>		<b>DESCRIPTION</b>		
DECIMAL .XX = .01" .XXX = .005" MILLIC .5mm ANGULAR -1°		NO--002 SERIES OPENING PORTLIGHT		
		<b>MATERIAL</b>	<b>DRAWN BY</b>	<b>DRAWN DATE</b>
		SEE BOM	JPERRY	1/26/18
		<b>CHECKED BY/DATE</b>	<b>SIZE</b>	<b>PART NUMBER</b>
			C	NO--0020010--SF015SA
				<b>SHEET</b>
				1 OF 1
				<b>REVISION</b>
				A

A B C D E F G H I J