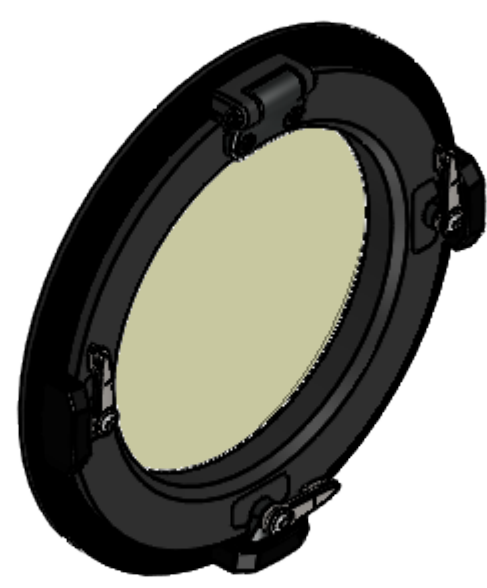


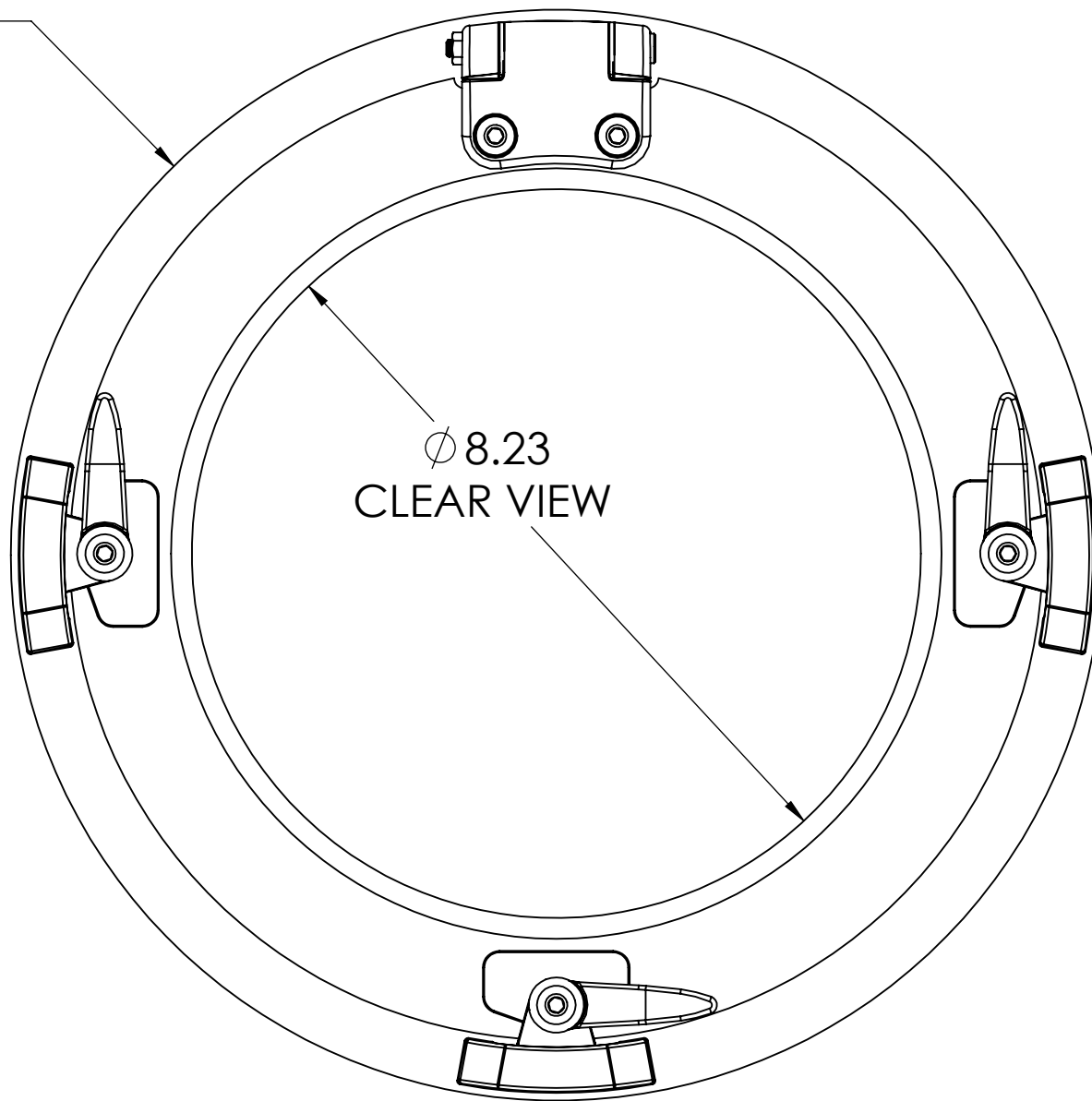
A B C D E F G H I J

1  
2  
3  
4  
5  
6  
7  
8

1  
2  
3  
4  
5  
6  
7  
8

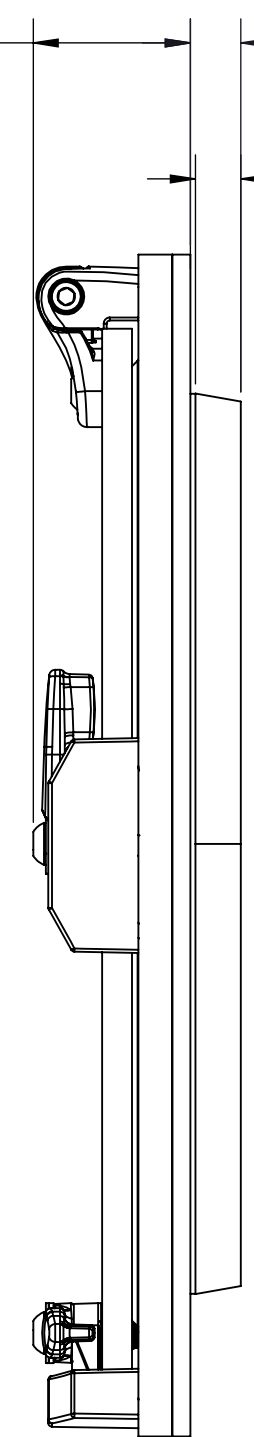


Ø 12.31 OD BASE

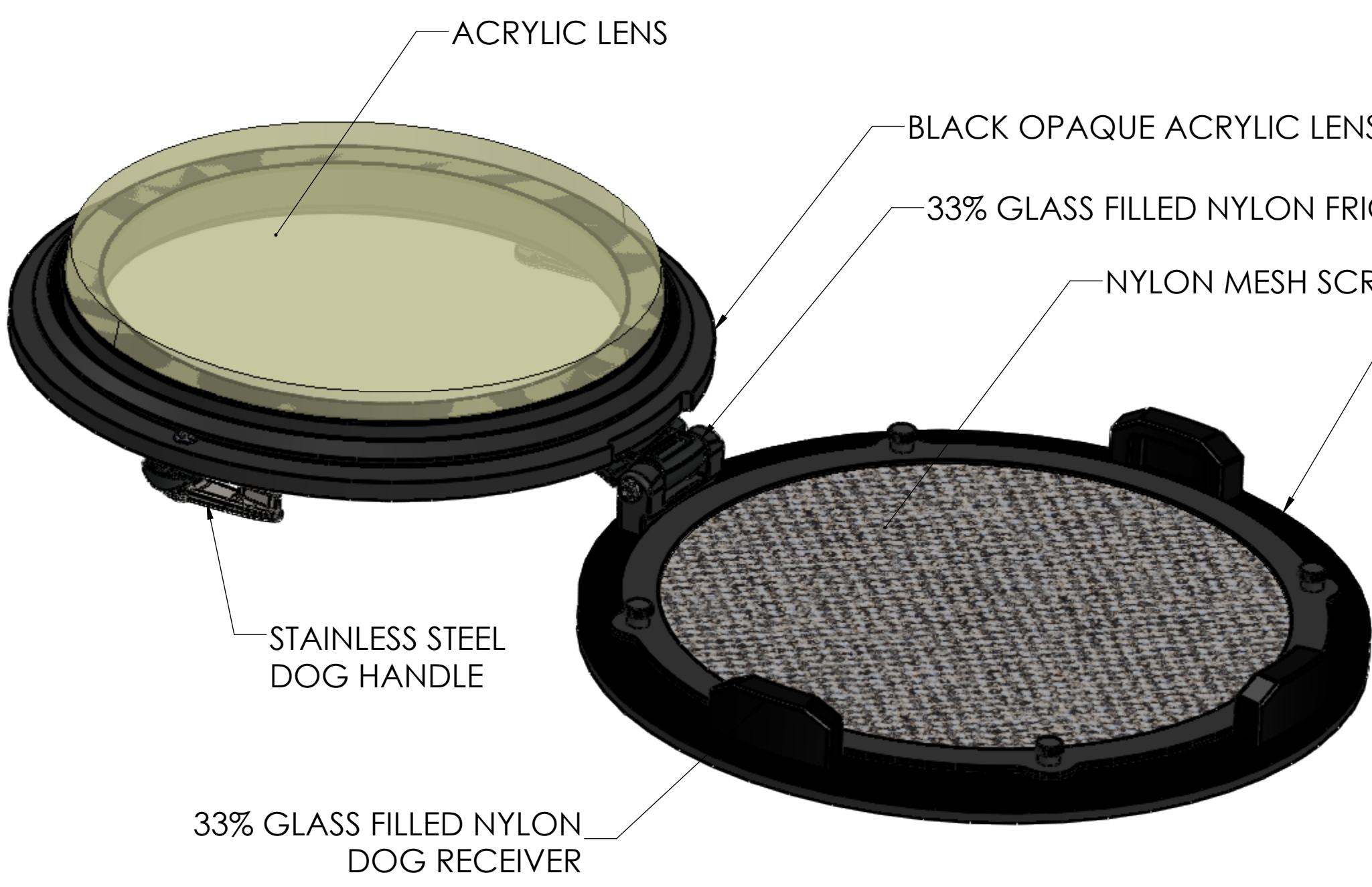


Ø 8.23 CLEAR VIEW

1.64  
.50 [12mm] PANEL  
[12]  
.47 LENS



**CUSTOMER DESIGN APPROVAL**  
CUSTOMER SIGNATURE \_\_\_\_\_  
DATE \_\_\_\_\_



ACRYLIC LENS

BLACK OPAQUE ACRYLIC LENS FRAME

33% GLASS FILLED NYLON FRICTION HINGE

NYLON MESH SCREEN AVAILABLE

BLACK OPAQUE ACRYLIC BASE

STAINLESS STEEL DOG HANDLE

33% GLASS FILLED NYLON DOG RECEIVER

**9-11/16" CUTOUT  
FOR .50" [12mm] THICK PANEL**

|   |  |   |   |                                   |
|---|--|---|---|-----------------------------------|
| CUSTOMER  |  | PROJECT<br>ACRYLIC FLUSHMOUNT PORTLIGHT |   |                                   |
| This Drawing is the Property of Pompanette LLC<br>All Rights Reserved, This Drawing and Information May Not Be Copied or Disclosed to Others Without Written Permission of Pompanette LLC |  |   | CHARLESTOWN, N.H.<br>PH. (603) 826 5791<br><br>TAMPA, FL.<br>(813) 885-2182 |                                   |
| DESCRIPTION<br>MAIN ASSEMBLY, ACRYLIC FLUSHMOUNT PORTLIGHT, ROUND 12.31 OD BASE   |  | DRAWN BY<br>SWG                         | DRAWN DATE<br>2/5/2015  | SHEET<br>1 OF 1                   |
| MATERIAL<br>SEE BOM   |  | CHECKED BY/DATE                         | SIZE<br>C   | PART NUMBER<br>NOA0030014NS098030 |
| DO NOT SCALE  |  |   |   | REVISION<br>A                     |

A B C D E F G H I J