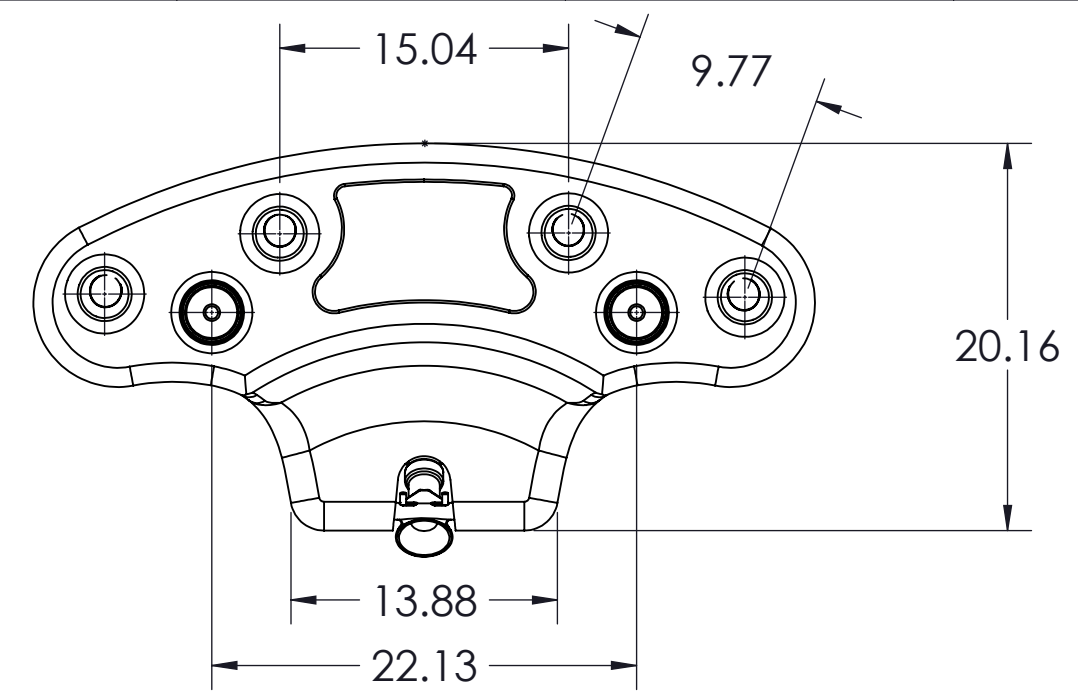


1 2 3 4 5 6 7 8

A



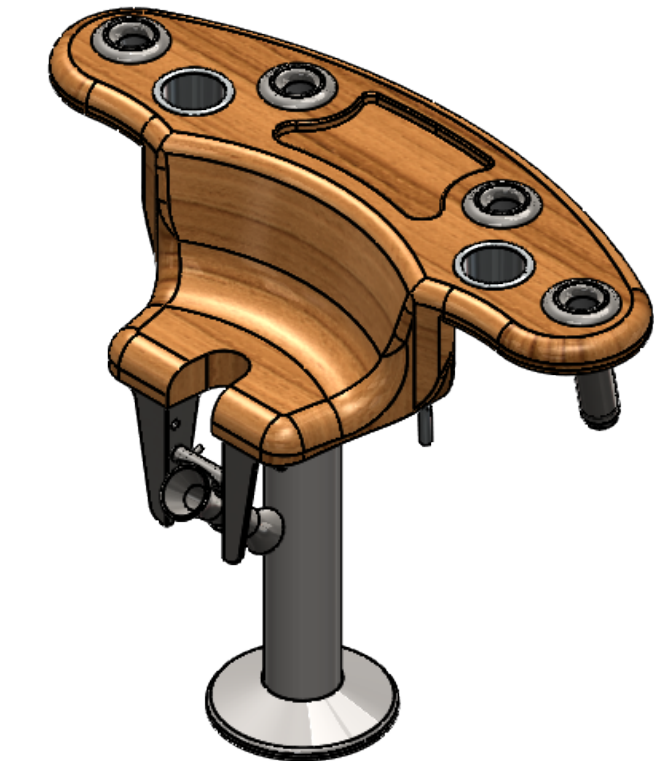
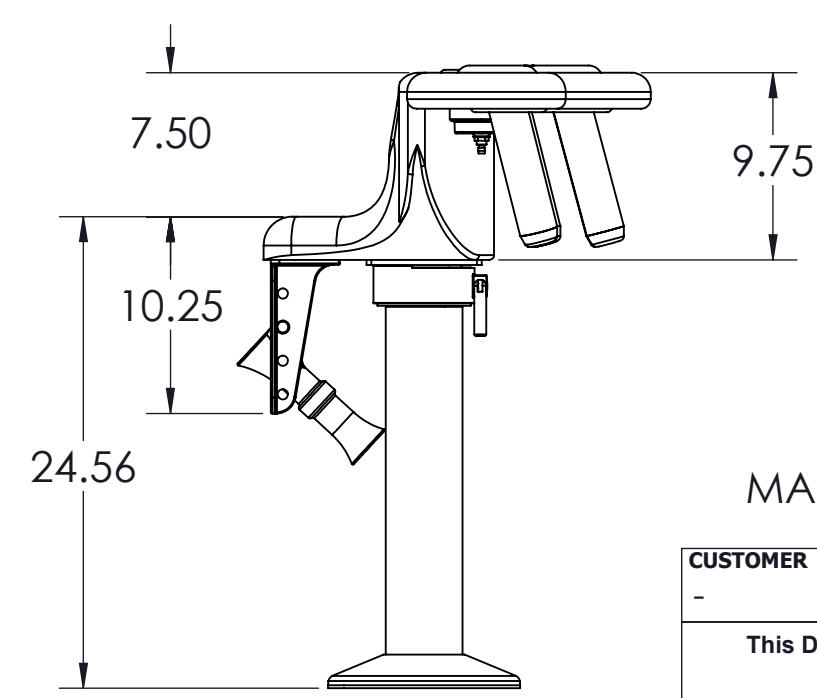
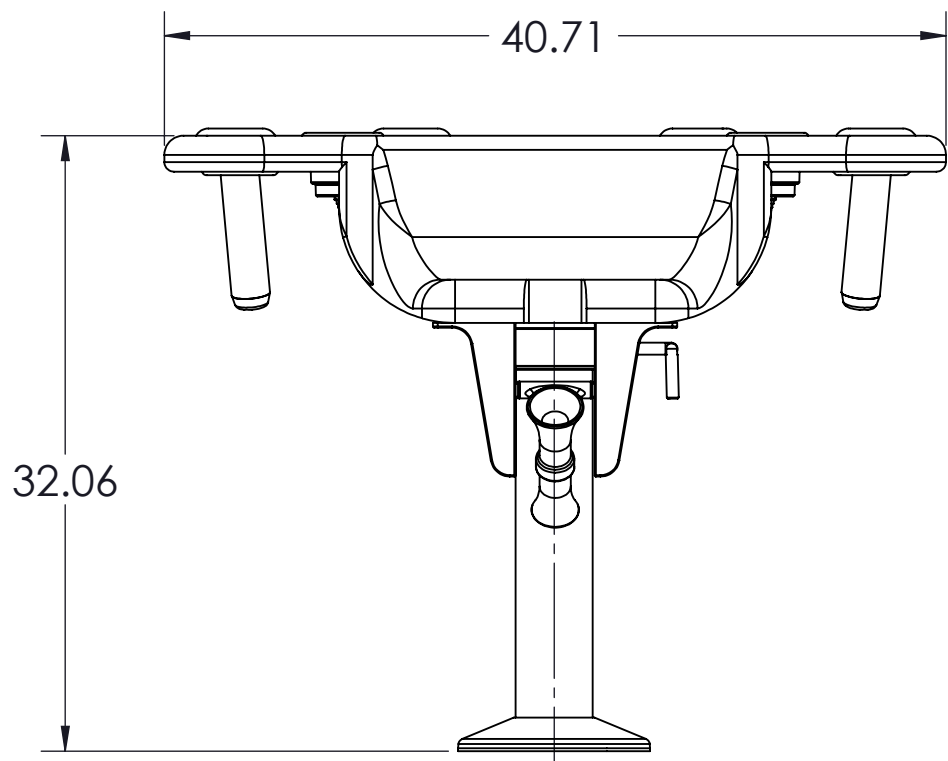
A

B

B

C

C




D

D

E

E

MANTA X SHOWN WITH HELM HEIGHT BOLTLESS PEDESTAL

CUSTOMER -		PROJECT MANTA X ROCKET FIGHTER			
This Drawing is the Property of Pompanette LLC				CHARLESTOWN, N.H. PH. (603) 826 5791	
All Rights Reserved, This Drawing and Information May Not Be Copied or Disclosed to Others Without Written Permission of Pompanette LLC				TAMPA, FL. (813) 885-2182	
DESCRIPTION MANTA X , 4 ROD		MATERIAL TEAK	DRAWN BY EMG	DRAWN DATE 1/1/22	SHEET 1 OF 1
CHECKED BY/DATE		SIZE B	PART NUMBER		REVISION A
DO NOT SCALE					

NOTES:  
 - MANTA X 4 ROD FIGHTER SHOWN  
 - MANTA X FIGHTER AVAILABLE IN TEAK (CLEAR HIGH GLOSS) AND PAINTED FINISHES  
 - 4 ROD HOLDERS AND 2 CUPHOLDERS STANDARD (MATE SERIES OPTIONAL)

F

F

1 2 3 4 5 6 7 8